

B Kit gasket PN 247249 (*-58-60-74-78-92-106-125)
 B Kit guarnizioni PN 247249 (*-58-60-74-78-92-106-125)
 B Kit joint PN 247249 (*-58-60-74-78-92-106-125)
 B Kit dichtung PN 247249 (*-58-60-74-78-92-106-125)

C	1	240872	PM 38-40-46	1	86	240322	2		
C		240337	PM 36	1	87	240338	1		
C		240943	TITAN	1	240871	PM 46-TITAN 46	1		
	2	•240288		1	88	240320	1		
	3	•240287	PM 36	1	89	240321	1		
		•240369	PM 38-40-46	1	90	236936	1		
		•240311	TITAN	1	91	240272	1		
B	4	•240311		1	92	240344	1		
	5	•227349		1	93	240291	1		
	6	•240326		1	94	•240297	1		
	7	•227351		1	95	•236981	2		
	8	•227352		1	96	240299	1		
	9	•240928		1	97	236997 M5x30	2		
	10	•240929		1	98	227626	2		
	11	•240690		1	99	227567 M5x70	2		
	12	•227521		1	100	240359	1		
	13	•229394		1	C	240361	PM 36	1	
	14	•227524		1	C	101	240855	1	
	15	•235367		1	C		240873	PM 36	1
	16	•235811		1	102	248056	1		
	17	•240863		3	103	•235899	1		
	18	•235500		2	C	104	•228872	1	
	19	•227259		1	105	•235900	1		
C	20	•240360		1	106	240312	1		
		•240362	PM 36	1	107	240327	PREFIX 02	1	
A	21	•240351	PM 36	2		240355	PM46-TITAN 46	1	
C	22	•240339	PM 36	2		241255	PREFIX 03	1	
C	23	•240301		1		241256	PREFIX 03	1	
C	24	•240302		1			PM46-TITAN 46	1	
	25	•240303		1	C	108	•235742	1	
	26	•240367		1	C		227329	PM 46-TITAN 46	1
	27	•240862		5	C	109	102164	PREFIX 02	1
	28	•229524		1	C		227631	PREFIX 03	1
C	29	240859		1		110	235672	1	
	30	227259		1		111	247252	PREFIX 02	1
	31	240845	M5x16	1			PM38-40-46	1	
C	32	247259		1			TITAN 41-46	1	
	33	240315		2			247251	PREFIX 02-PM36	1
	34	235248		2		112	•235230	PREFIX 02	1
	35	235802	M5x14	2			•235802	PREFIX 03	1
C	36	240370		1			•235229	PREFIX 02	1
	37	240281		1	C	113	240281	PREFIX 03	1
B	38	240282		1			•228872	PREFIX 02	1
		240289	PM 46-TITAN 46	1	B	114	•240349	PM36	2
B	39	240285		1			•240348	PM36	2
	40	240354		1		115	•235658	1	
	41	235248		1		116	•235735	1	
	42	235802	M5x14	1		117	227259	1	
	43	235248		1		118	235806	M5x20	1
	44	235803	M5x25	1	A	119	240317	1	
	45	227259		1	B	120	•235642	1	
	46	235802	M5x14	1	B	121	•240205	1	
C	47	240336	PROMAC	1	B	122	•240318	1	
		240945	TITAN	1		123	235642	1	
C		•240316	M5x35	1		124	240310	1	
	49	•240921		1		125	240333	1	
	50	•229208		1		126	240309	1	
	51	•240884		1	C	127	240363	1	
	52	•235372		1	B	128	240286	1	
B	53	•235042		1		129	241098	1	
A	54	•235040		1	C	130	241096	1	
	55	•235248		3		131	240867	1	
	56	•236997	M5x30	3		132	240920	1	
B	57	•240866		1		133	•240300	1	
C	58	•235511		1	B	134	•240868	1	
	59	•240865		1	C	135	•235675	1	
	60	•235510		1	A	136	•240452	1	
	61	247290		1	C	137	•227582	1	
	62	•240358		3		138	•229716	1	
	63	235218		1		139	241099	1	
	64	235138	PREFIX 02	1	B	141	240260 3/8"	1	
		241204	PREFIX 03	1	B		240266 3/25"	1	
B	65	•235516		2		142	240323	1	
B	66	•235517		2		143	240930	PREFIX 02	1
B	67	•235518		2			241275	PREFIX 03	1
C	68	241291		1		144	94244	PREFIX 02	1
	69	235806	M5x20	2			241285	PREFIX 03	1
C	70	FIGURE 2		4		145	229250	2	
	71	227565	M5x25	4	B	147	241100	1	
	72	236934		1	C	148	•228854	1	
A	73	92879		1		149	•240308	1	
B	74	240345		1		150	•240874	1	
	75	240271	PM 46-TITAN 46	1	C	151	225062	1	
		•236997	M5x30	2		152	241102	PREFIX 02	1
	76	•236529		2			241272	PREFIX 03	1
A	77	227692		1	C	153	240924	PREFIX 02	1
	78	227692		1			241274	PREFIX 03	1
C	79	FIGURE 3		2	B	154	•240926	3	
	80	240328		2		155	•227359	3	
	81	240324	M4x40	2		156	•240925	PREFIX 02	1
	82	240262		1			•241273	PREFIX 03	1
	83	235248		2		157	235248	1	
	84	235216		2		158	228139	1	
B	85	240263		1		159	241162	1	

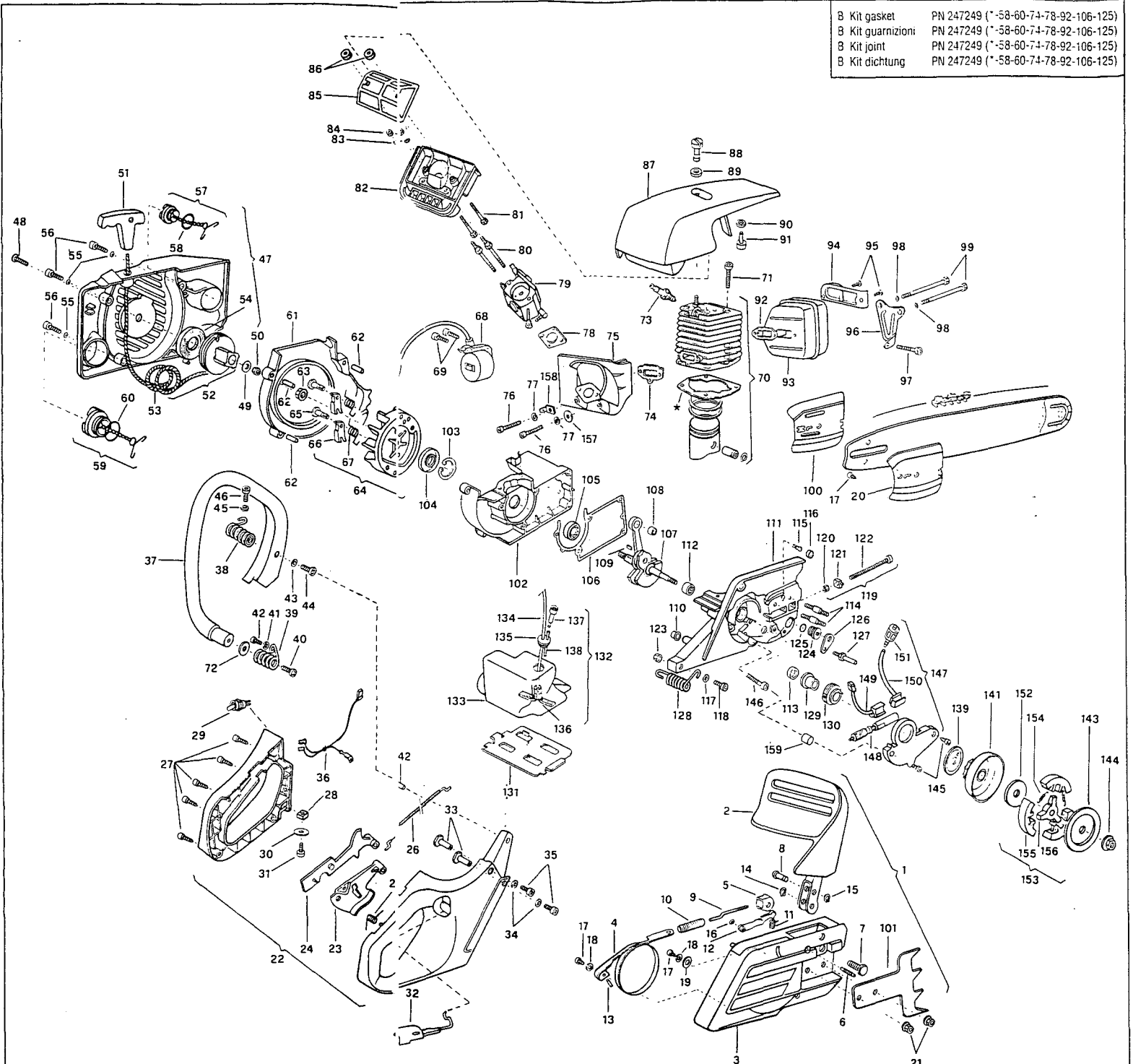


FIGURE 1

A = high moving - alta rotazione - haute demande - große Nachfrage
 B = medium moving - media rotazione - moyenne demande - mittelmäßige Nachfrage
 C = slow moving - bassa rotazione - basse demande - wengige Nachfrage

	38 cc	<table border="0"> <tr><td>C</td><td>1</td><td></td><td>247253</td><td>1</td></tr> <tr><td>B</td><td>2</td><td>•</td><td>240343</td><td>1</td></tr> <tr><td>C</td><td>3</td><td>•</td><td>247256</td><td>1</td></tr> <tr><td></td><td>4</td><td>••</td><td>235008</td><td>2</td></tr> <tr><td>B</td><td>5</td><td>••</td><td>240005</td><td>2</td></tr> </table>	C	1		247253	1	B	2	•	240343	1	C	3	•	247256	1		4	••	235008	2	B	5	••	240005	2
	C	1		247253	1																						
	B	2	•	240343	1																						
C	3	•	247256	1																							
	4	••	235008	2																							
B	5	••	240005	2																							
40 cc	<table border="0"> <tr><td>C</td><td>1</td><td></td><td>247254</td><td>1</td></tr> <tr><td>B</td><td>2</td><td>•</td><td>240343</td><td>1</td></tr> <tr><td>C</td><td>3</td><td>•</td><td>247257</td><td>1</td></tr> <tr><td></td><td>4</td><td>••</td><td>235008</td><td>2</td></tr> <tr><td>B</td><td>5</td><td>••</td><td>240085</td><td>2</td></tr> </table>	C	1		247254	1	B	2	•	240343	1	C	3	•	247257	1		4	••	235008	2	B	5	••	240085	2	
C	1		247254	1																							
B	2	•	240343	1																							
C	3	•	247257	1																							
	4	••	235008	2																							
B	5	••	240085	2																							
46 cc	<table border="0"> <tr><td>C</td><td>1</td><td></td><td>247255</td><td>1</td></tr> <tr><td>B</td><td>2</td><td>•</td><td>240343</td><td>1</td></tr> <tr><td>C</td><td>3</td><td>•</td><td>247258</td><td>1</td></tr> <tr><td></td><td>4</td><td>••</td><td>229544</td><td>2</td></tr> <tr><td>B</td><td>5</td><td>••</td><td>240353</td><td>1</td></tr> </table>	C	1		247255	1	B	2	•	240343	1	C	3	•	247258	1		4	••	229544	2	B	5	••	240353	1	
C	1		247255	1																							
B	2	•	240343	1																							
C	3	•	247258	1																							
	4	••	229544	2																							
B	5	••	240353	1																							

FIGURE 2

WALBRO WT 414				
C	-		240350	carbur.
B	1	•	247260	1
A	2	••	229191	1
	3	•	247261	1
	4	•	237481	1
	5	•	247388	H 1
	6	•	246540	L 1
	7	•	229601	2
C	8	•	247387	1

FIGURE 3

A = high moving - alta rotazione - haute demande - große Nachfrage
 B = medium moving - media rotazione - moyenne demande - mittelmäßige Nachfrage
 C = slow moving - bassa rotazione - basse demande - wenige Nachfrage